

MODULAR CHAISE

TECHNICAL SHEET

DIMENSIONS

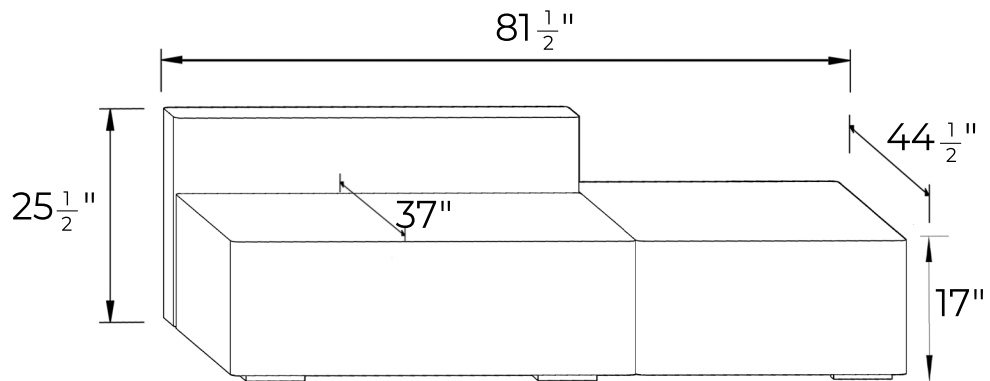
OVERALL LENGTH - $81\frac{1}{2}$ "

OVERALL WIDTH - $44\frac{1}{2}$ "

OVERALL HEIGHT - $25\frac{1}{2}$ "

SEAT HEIGHT - 17"

SEAT DEPTH - 37"



MODULARE TABLE TRAY

TECHNICAL SHEET

DIMENSIONS

OVERALL LENGTH - $46\frac{1}{2}$ "

OVERALL WIDTH - $14\frac{1}{2}$ "

OVERALL HEIGHT - 8"

