

FINEZI BED KING

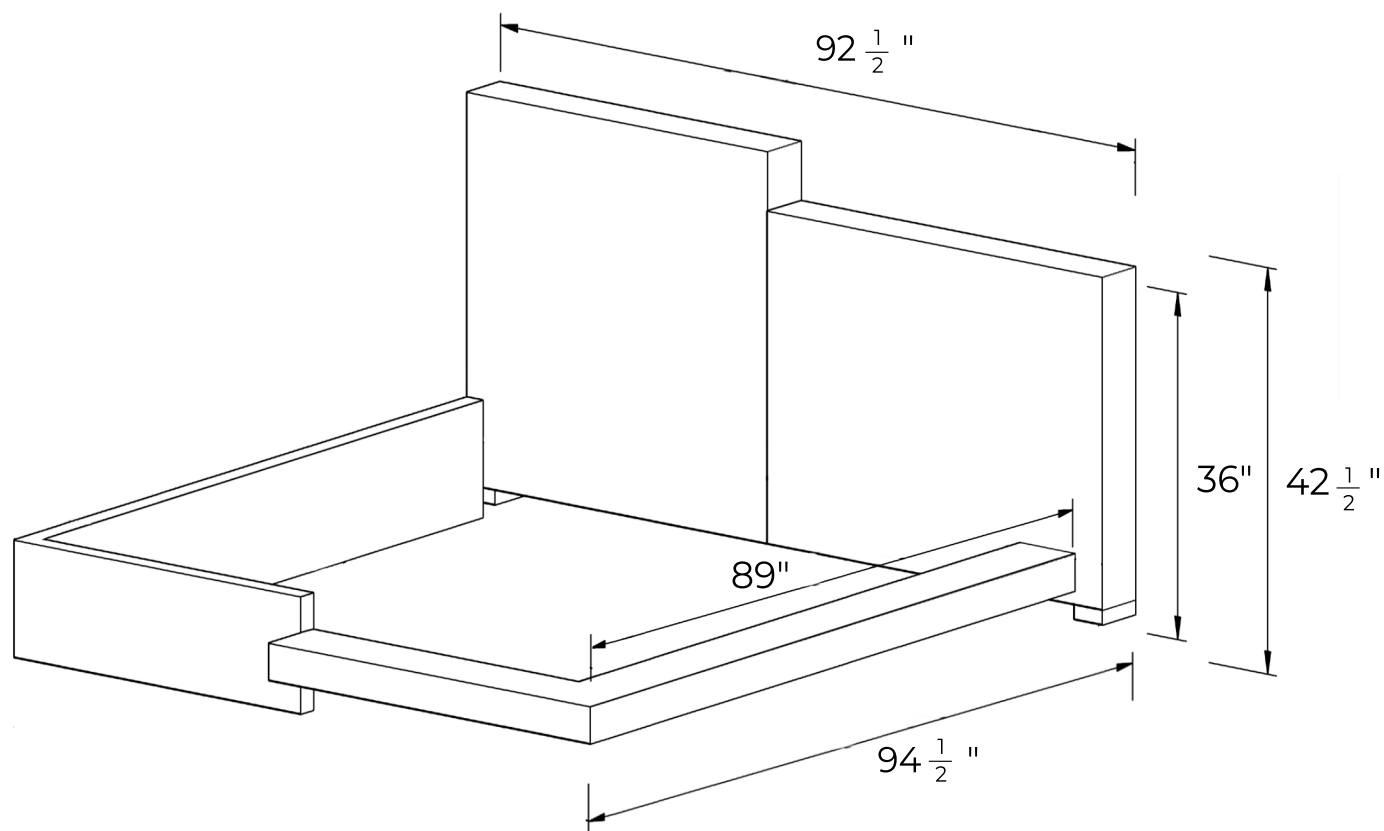
TECHNICAL SHEET

DIMENSIONS

OVERALL WIDTH- $92\frac{1}{2}$ "

OVERALL LENGTH - $94\frac{1}{2}$ "

OVERALL HEIGHT - $42\frac{1}{2}$ "



Atriani

FINEZI BED QUEEN

TECHNICAL SHEET

DIMENSIONS

OVERALL WIDTH - $76 \frac{1}{2}$ "

OVERALL LENGTH - $94 \frac{1}{2}$ "

OVERALL HEIGHT - $42 \frac{1}{2}$ "

