

# CURVA CHAISE

TECHNICAL SHEET

## DIMENSIONS

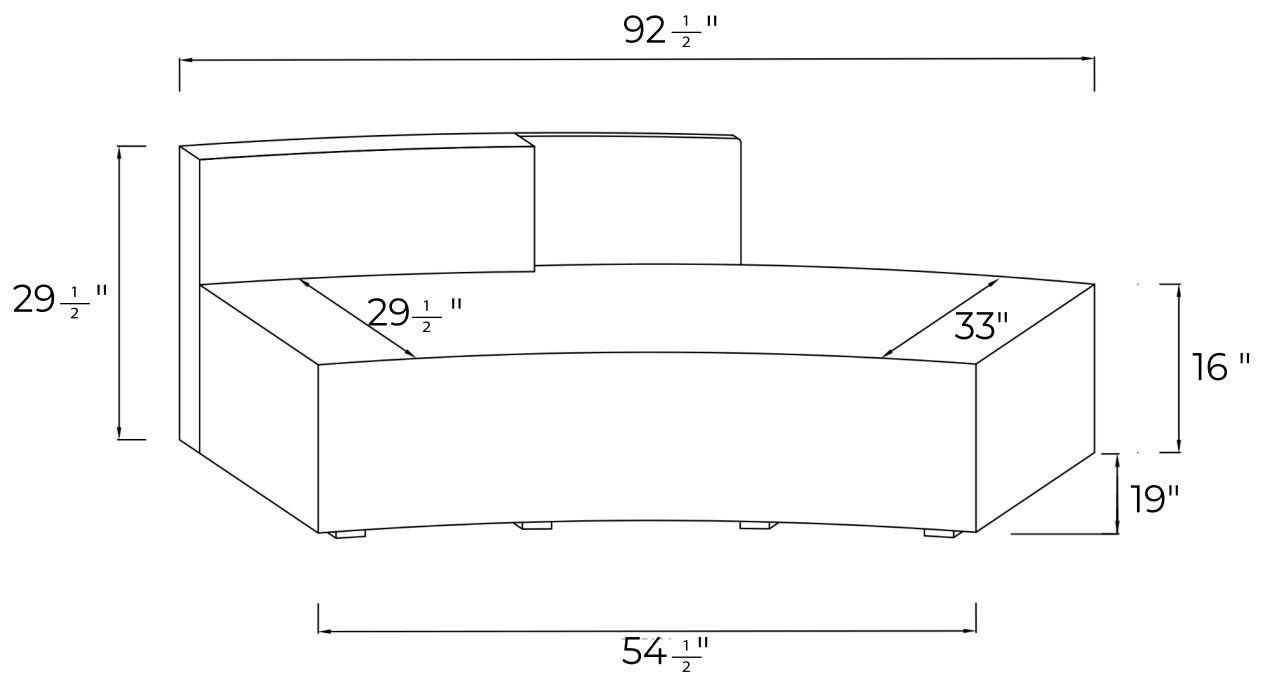
OVERALL LENGTH -  $92\frac{1}{2}$ "

OVERALL WIDTH - 19"

OVERALL HEIGHT -  $29\frac{1}{2}$ "

SEAT DEPTH -  $29\frac{1}{2}$ "

SEAT HEIGHT - 16"



# CURVA CHAISE

TECHNICAL SHEET

## DIMENSIONS

OVERALL LENGTH -  $92\frac{1}{2}$ "

OVERALL WIDTH - 19"

OVERALL HEIGHT -  $29\frac{1}{2}$ "

SEAT DEPTH -  $29\frac{1}{2}$ "

SEAT HEIGHT - 16"

