

# MODULARE SOFA RIGHT HAND

TECHNICAL SHEET

## DIMENSIONS

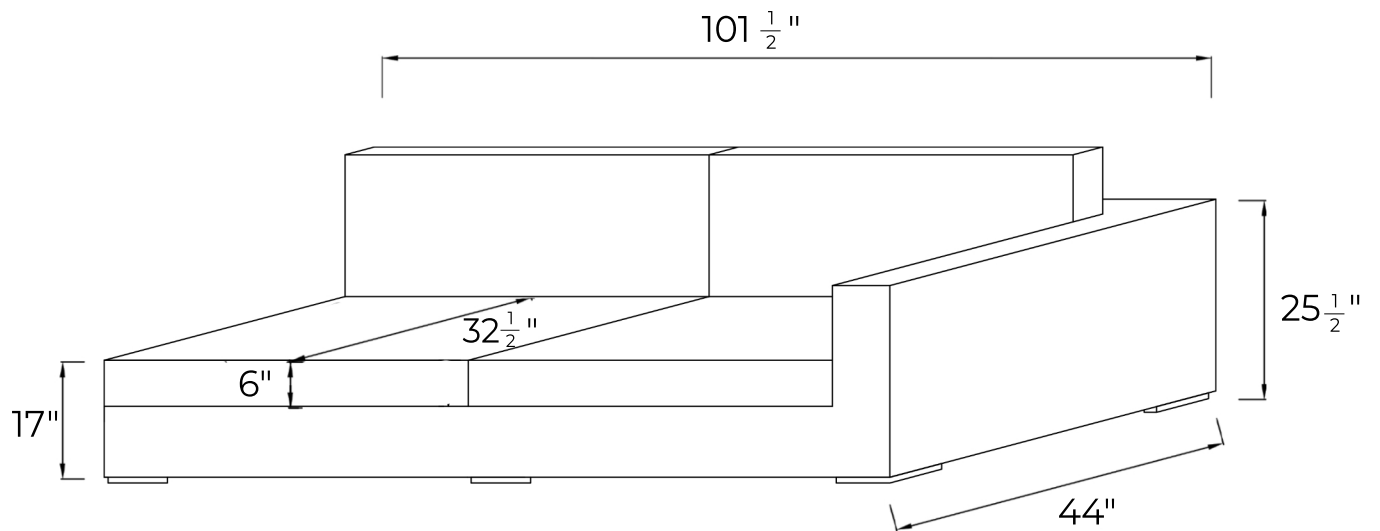
OVERALL LENGTH -  $101 \frac{1}{2}$ "

OVERALL WIDTH - 44"

OVERALL HEIGHT -  $25 \frac{1}{2}$ "

SEAT HEIGHT - 17"

SEAT DEPTH -  $32 \frac{1}{2}$ "



# MODULARE SOFA LEFT HAND

TECHNICAL SHEET

## DIMENSIONS

OVERALL LENGTH -  $101 \frac{1}{2}$ "

OVERALL WIDTH - 44"

OVERALL HEIGHT -  $25 \frac{1}{2}$ "

SEAT HEIGHT - 17"

SEAT DEPTH -  $32 \frac{1}{2}$ "

