

CURVA CHAISE RIGHT

TECHNICAL SHEET

DIMENSIONS

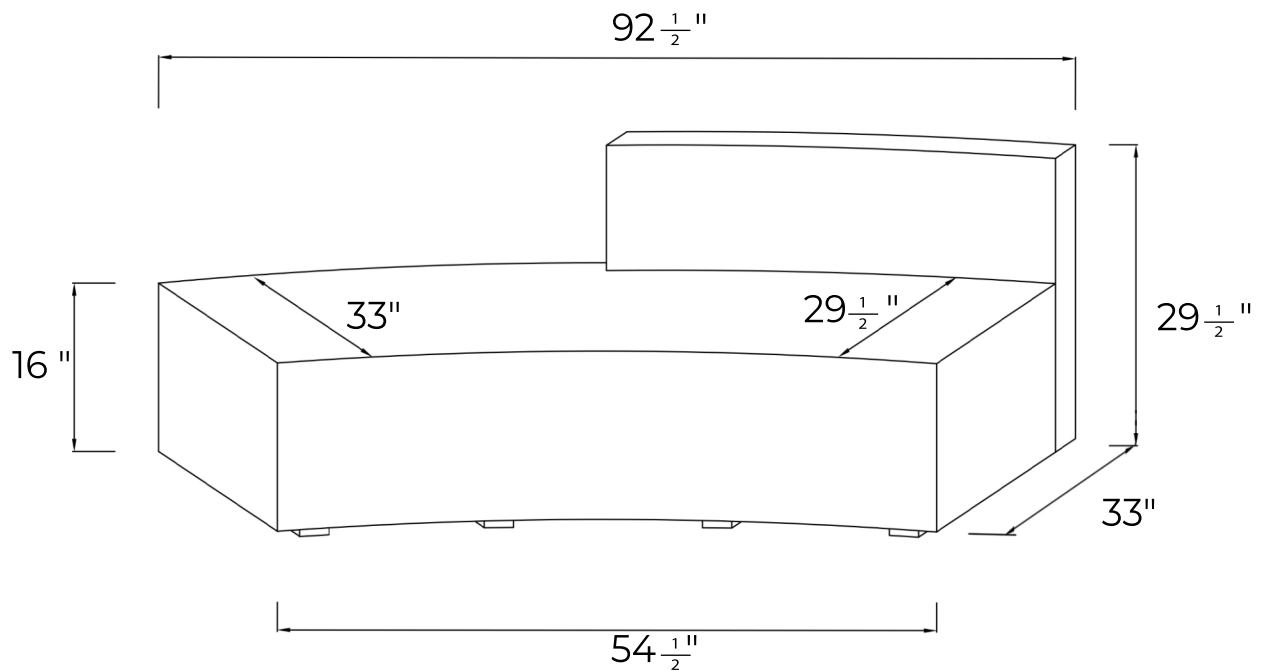
OVERALL LENGTH - $92\frac{1}{2}$ "

OVERALL WIDTH - 33"

OVERALL HEIGHT - $29\frac{1}{2}$ "

SEAT DEPTH - $29\frac{1}{2}$ "

SEAT HEIGHT - 16"



CURVA CHAISE LEFT

TECHNICAL SHEET

DIMENSIONS

OVERALL LENGTH - $92\frac{1}{2}$ "

OVERALL WIDTH - 33"

OVERALL HEIGHT - $29\frac{1}{2}$ "

SEAT DEPTH - $29\frac{1}{2}$ "

SEAT HEIGHT - 16"

