

CURVA CHAISE LEFT HAND

TECHNICAL SHEET

DIMENSIONS

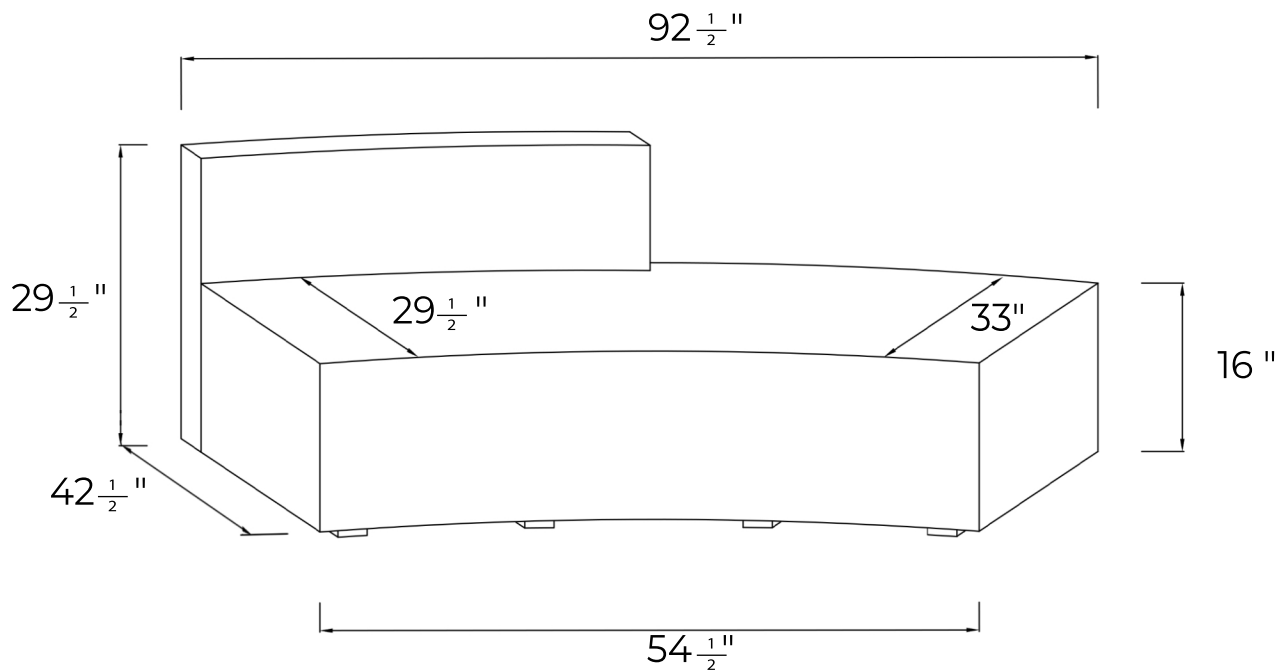
OVERALL LENGTH - $92\frac{1}{2}$ "

OVERALL WIDTH - $42\frac{1}{2}$ "

OVERALL HEIGHT - $29\frac{1}{2}$ "

SEAT DEPTH - $29\frac{1}{2}$ "

SEAT HEIGHT - 16"



Atriani