

# ORGANICA DINING 98 $\frac{1}{2}$ "

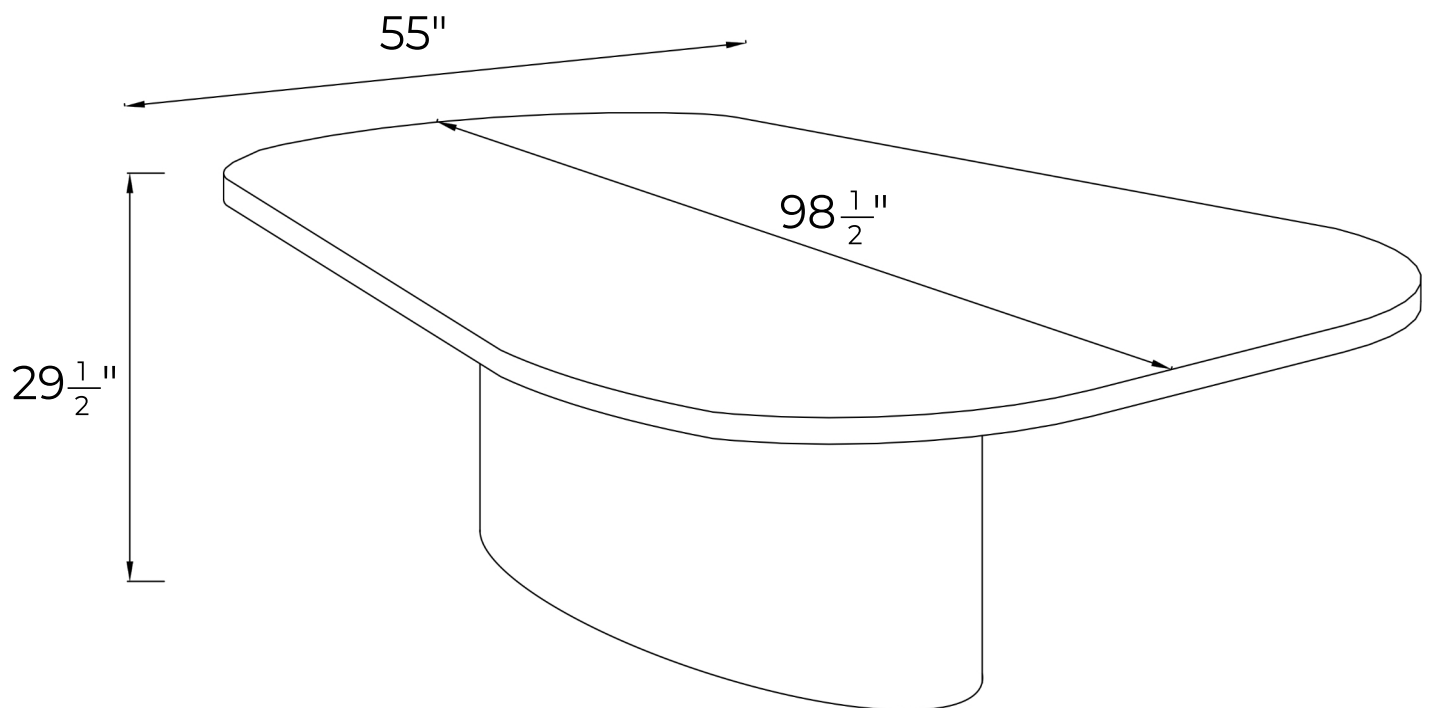
TECHNICAL SHEET

## DIMENSIONS

OVERALL LENGTH - 98 $\frac{1}{2}$ "

OVERALL WIDTH - 29 $\frac{1}{2}$ "

OVERALL HEIGHT - 55"



# ORGANICA DINING TABLE 106"

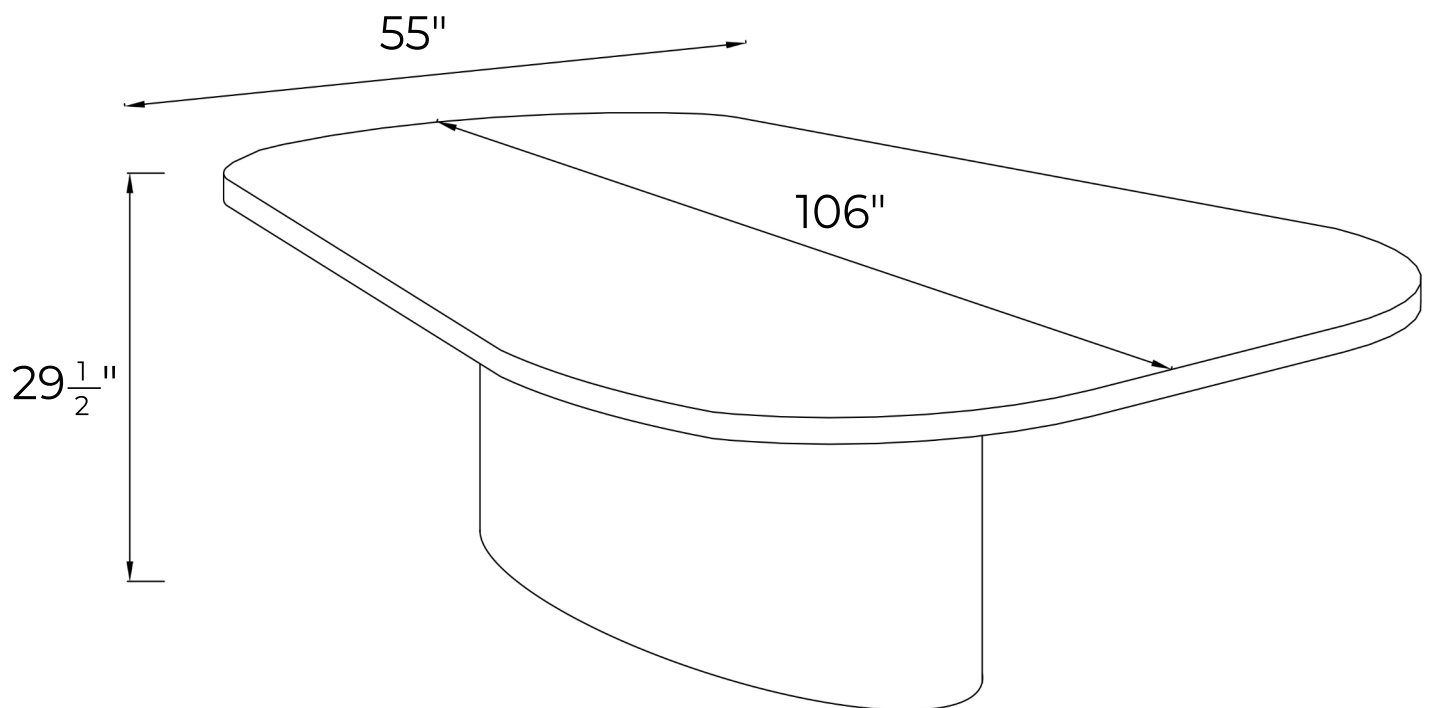
TECHNICAL SHEET

## DIMENSIONS

OVERALL LENGTH - 106"

OVERALL WIDTH -  $29\frac{1}{2}$ "

OVERALL HEIGHT - 55"



# ORGANICA DINING TABLE 126"

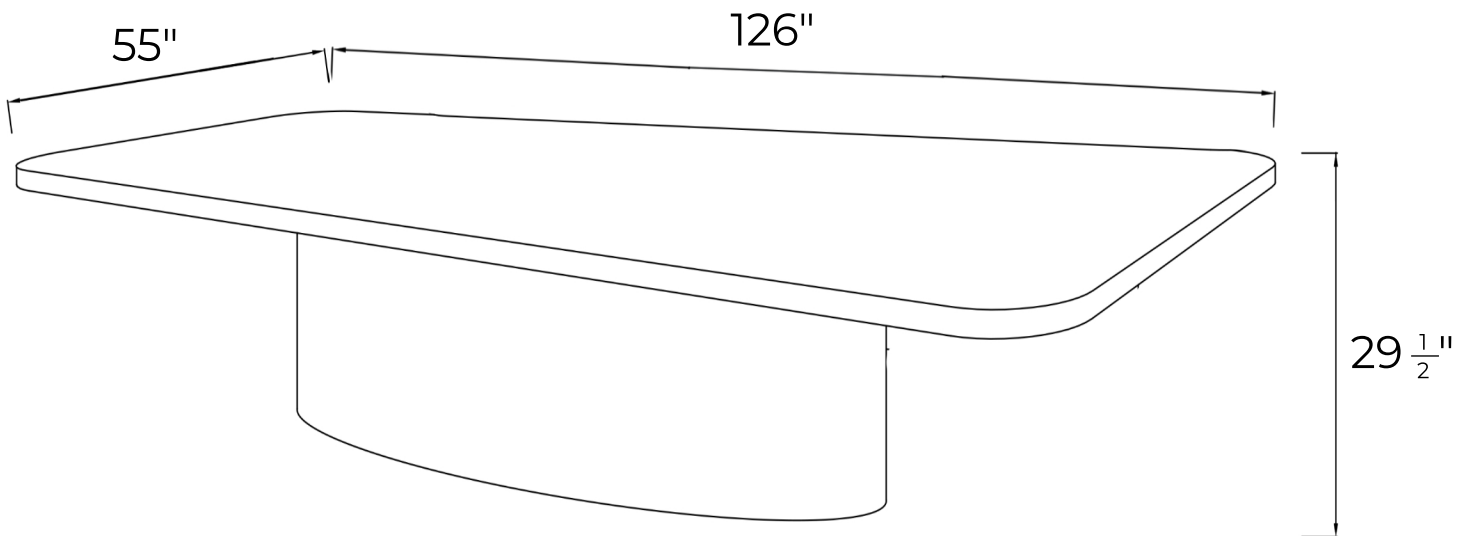
TECHNICAL SHEET

## DIMENSIONS

OVERALL LENGTH - 126"

OVERALL WIDTH - 55"

OVERALL HEIGHT - 29  $\frac{1}{2}$ "



*Atrian*