

# LARGE S.FOCATA OTTOMAN

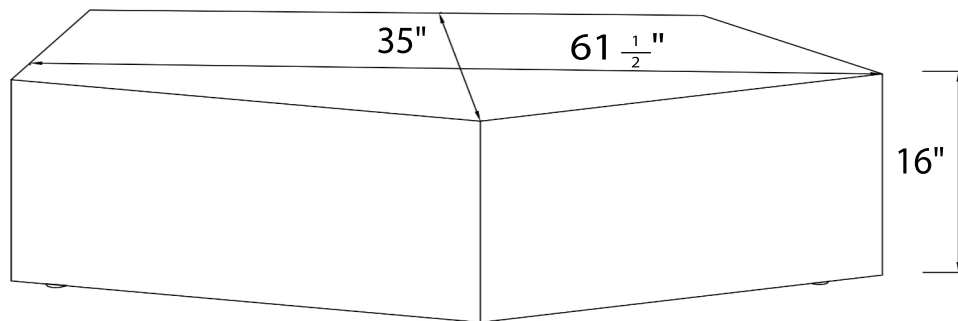
TECHNICAL SHEET

## DIMENSIONS

OVERALL LENGTH -  $61 \frac{1}{2}$  "

OVERALL WIDTH - 35"

OVERALL HEIGHT - 16 "



---

*Atriani*

[www.atriani.com](http://www.atriani.com)