

RIGHT MODULAR CHAISE

TECHNICAL SHEET

DIMENSIONS

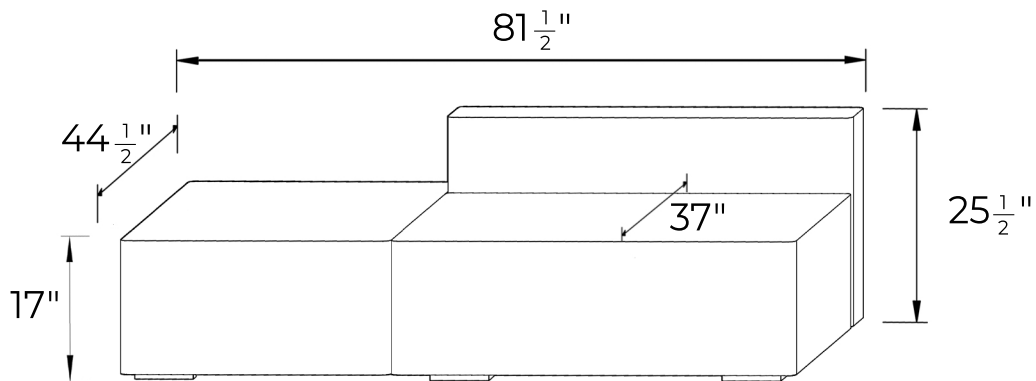
OVERALL LENGTH - $81\frac{1}{2}$ "

OVERALL WIDTH - $44\frac{1}{2}$ "

OVERALL HEIGHT - $25\frac{1}{2}$ "

SEAT HEIGHT - 17"

SEAT DEPTH - 37"



LEFT MODULAR CHAISE

TECHNICAL SHEET

DIMENSIONS

OVERALL LENGTH - $81\frac{1}{2}$ "

OVERALL WIDTH - $44\frac{1}{2}$ "

OVERALL HEIGHT - $25\frac{5}{8}$ "

SEAT HEIGHT - $16\frac{7}{8}$ "

